

Sinteso™ / Cerberus™ PRO / Cerberus™ FIT

## ASA linear smoke detector

FDL241-9



### Linear smoke detector addressed or collective, ASAtechnology™

- Reliable smoke detection in large spaces (indoor application)
- Detection distance 10...100 m
- Signal processing with **ASAtechnology**
- Works according to the principle of light attenuation by smoke
- Microprocessor-controlled signal processing
- Automatic compensation for soiling
- High immunity to extraneous light and electromagnetic interference
- Transmitter and receiver in one housing
- Distance measurement between transmitter and receiver
- Communication via FDnet/C-NET (individually addressed) or collective detector line (switchover)

### Features

- Integrated line separator: The section of the detector line affected by the short-circuit is located by the fire control panel and isolated between two FDnet/C-NET devices.
- The detector and base housing is made from hard-wearing glass-fiber-reinforced plastic.
- Protected electronics
- Built-in alarm indicator
- Self test function
- Detector heating unit in case of danger of moisture condensation
- 3 sensitivity levels and event-driven detection behavior
- Addressed signal processing:
  - Transmission of 4 danger levels to the control panel: Enables activation of differentiated measures and an early warning in the case of incorrect applications
  - 4 functional states: As well as the normal state, the detector transmits a notice, an impairment, or a fault (depending on the significance of the cause of the problem).
- Collective signal processing:
  - The detector transmits alarm states and fault states to the control panel.

### Eco-friendly

- Environmentally friendly processing
- Reusable materials
- Electronic parts and synthetic materials can be easily separated

## Use

- Buildings with historically valuable ceilings
- Atriums, detection on multiple levels
- Large rooms and high halls
- Churches
- Long corridors, cable and energy ducts with a room height of more than 3 m
- Airplane hangars with stable building construction, in which flame detectors alone do not suffice
- Saw-tooth roofs, where point detectors must be suspended lower

### Intended use

The linear smoke detector FDL241-9 is only permitted for use on an FDnet/C-NET detector line or a collective detector line in one of the following fire detection systems:

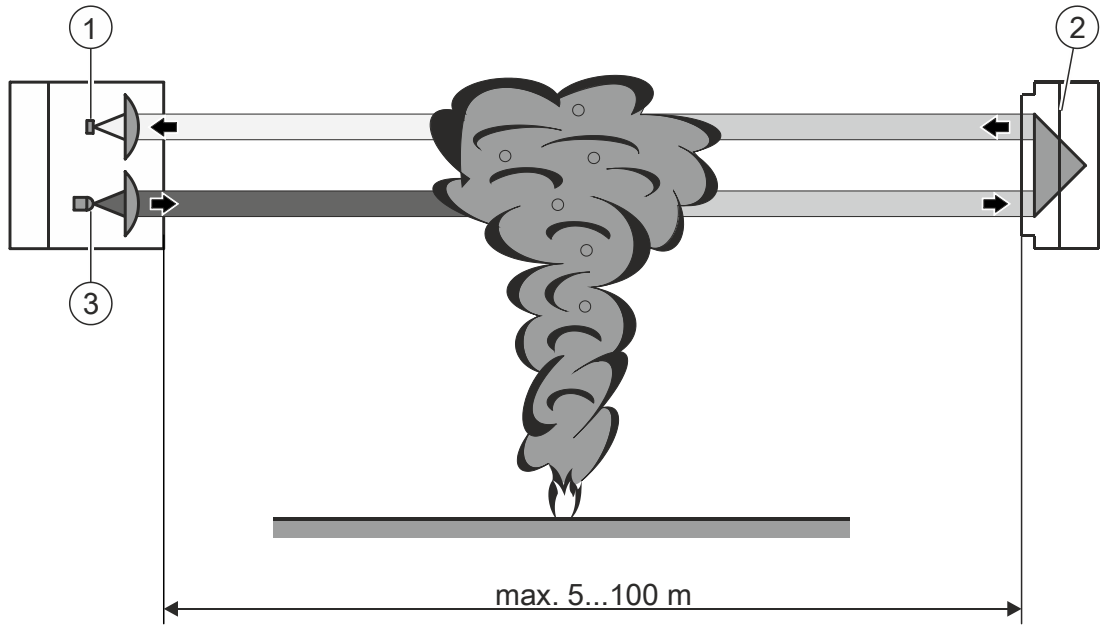
- FS20
- FS720
- FC360

The linear smoke detector consists of a transmitter and a receiver and works according to the principle of light attenuation by smoke.

The transmitter transmits to the reflector a highly focused infrared ray. If no smoke is present, a large part of the infrared ray reaches the reflector and is returned to the receiver. The incoming light generates an electric signal on the receiver's photo diode.

Smoke entering the measuring section weakens the infrared ray. If the signal reaches specific measured values, the detector transmits the corresponding danger level to the control panel.

- Distance measurement to detect foreign bodies
- The alarm state is signaled locally with the built-in alarm indicator.



- 1 Detector / receiver
- 2 Reflector
- 3 Detector / transmitter

**Environmental influences**

- Digital signal compensation:
  - Slow changes to the received infrared signal as a consequence of dusty lenses or other environmental influences are automatically compensated by the detector.
- Multiple-coincidence circuit:
  - Suppresses electrical and optical fault signals. In the case of an extremely strong incidence of extraneous light, the extraneous light filter DLF1191-AC is used in addition.
- Prism-shaped reflectors:
  - Incident rays of light are reflected in parallel.
  - The detector is not affected by mounting surface vibration phenomena.

## Accessories

### DLR1191 reflector for long distance (prism)



- For reflecting the infrared ray of the linear smoke detector
- Prism-shaped reflector
- Reflection distance: 20...100 m
- With a built-in heating unit

### DLR1192 reflector for middle distance (foil)



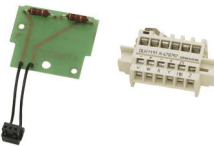
- For reflecting the infrared ray of the linear smoke detector
- Micro-prismatic film
- Reflection distance: 30...65 m
- Dimensions: 200 x 200 x 2.5 mm
- Hole diameter: 4 mm

### DLR1193 reflector for short distance (foil)



- For reflecting the infrared ray of the linear smoke detector
- Micro-prismatic film
- Reflection distance: 10...30 m
- Dimensions: 100 x 100 x 2.5 mm
- Hole diameter: 4 mm

### DLH1191A detector heating unit



- For applications where there is danger of moisture condensation or icing
- Incl. terminal block for the connection

### DLF1191-AA short distance filter (7...10 m)



- For toning down the infrared ray over short distances
- Distance: 7...10 m

### DLF1191-AB short distance filter (5...8 m)



- For toning down the infrared ray over short distances
- Distance: 5...8 m

### DLF1191-AC extraneous light filter



- For filtering extraneous light during a high level of extraneous light

### FDLU291 adjustment kit for linear smoke detector



- For commissioning the linear smoke detector
- Scope of delivery: Adjustment device, alarm test filter, visor, magnet, spiral cable, MC link cable, 9 V battery, suspension fixture with cable gripper and chain, case

## Type Overview

### Linear smoke detector FDL241-9

Type	Designation	Order number	Weight [kg]
FDL241-9	Linear smoke detector	A5Q00002298	0.440

### Accessories for linear smoke detector FDL241-9

Type	Designation	Order number	Weight [kg]
FDLB291	Base for linear smoke detector	A5Q00003941	0.305
–	M20 x 1.5 metal cable gland	A5Q00004478	0.036
DLF1191-AA	Short distance filter (7...10 m)	BPZ:4933030001	0.005
DLF1191-AB	Short distance filter (5...8 m)	BPZ:4933160001	0.005
DLF1191-AC	Extraneous light filter	BPZ:5221480001	0.005
DLH1191A	Detector heating unit	BPZ:4787970001	0.010
DLR1191	Reflector for long distance (prism)	BPZ:4787710001	0.510
DLR1192	Reflector for middle distance (foil)	BPZ:4788490001	0.075
DLR1193	Reflector for short distance (foil)	BPZ:4787840001	0.025
FDLU291	Adjustment kit for linear smoke detector	A5Q00004905	0.840
RE10	Detector tester for linear smoke detectors	BPZ:3685190001	0.345
TF04	Alarm test filter (absorption 77 %)	BPZ:4931090001	0.005

## Product documentation

Document ID	Name
007016	Technical manual Linear smoke detector FDL241-9
008164	Equipment overview Sinteso™ Detector system FD20
008331	List of compatibility (for 'Sinteso™' product line)
A6V10229261	List of compatibility (for 'Cerberus™ PRO' product line)
A6V10332811	Mounting/Commissioning Linear smoke detector FDL241-9
A6V10882301	List of compatibility (for 'FC360' product line)

Related documents such as environmental declarations, CE declarations, etc., can be downloaded at the following Internet address:

<http://siemens.com/bt/download>

## Mounting

---

### Mounting options

- Easy mounting of the housing on stable surfaces. Wood and steel girder constructions are usually unsuited, as temperature and humidity fluctuations, wind or snow pressure can affect them.
- 6 openings for M20 metal cable gland
- External alarm indicator can be connected
- Between the detector and the reflector there must be an uninterrupted and clear line of sight. Obfuscation of sight caused by operational generation of dust, vapor or smoke may decisively impair the system. The monitoring ray must not be interrupted by moving objects, e.g., overhead cranes, ladders, transportable objects, cobwebs, etc.
- The adjustment kit FDLU291 provides an effective means of aligning the lens with the reflector single-handedly.
- Corresponding reflectors are available for different distances.

## Disposal

---



The device is considered an electronic device for disposal in accordance with the European Guidelines and may not be disposed of as domestic garbage.

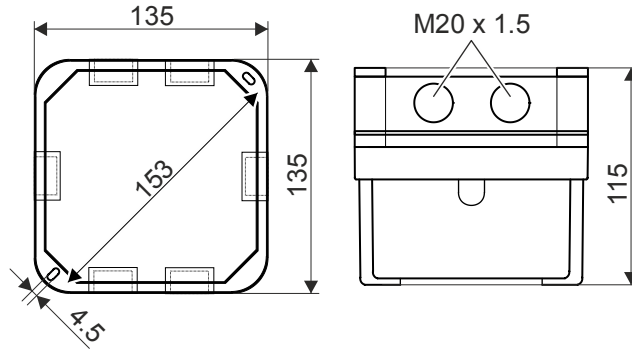
- Dispose of the device through channels provided for this purpose.
- Comply with all local and currently applicable laws and regulations.

## Technical data

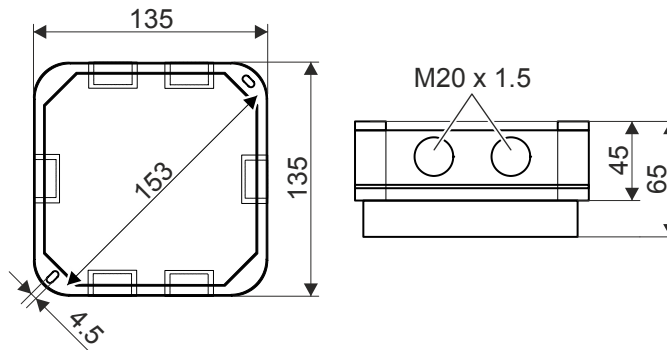
<b>Linear smoke detector FDL241-9</b>	
Operating voltage addressed / collective	DC 12...33 V / DC 14...28 V
Operating current (quiet) addressed / collective	0.8 mA / 0.7 mA
Number of external alarm indicators that can be connected	2
Detection distance	10...100 m
Operating temperature	-25...+60 °C
Storage temperature	-30...+75 °C
Air humidity (no moisture condensation)	≤95 % rel.
Communication protocol	FDnet/C-NET or collective (with and without current limitation)
Cable cross section	0.2...1.5 mm <sup>2</sup>
Color	~RAL 9010 pure white
Protection category (IEC 60529)	IP65
Standards	EN 54-12 <sup>1</sup> , EN 54-17, EN 62471 ( <sup>1</sup> with detection distance 10...100 m)
Approvals	
<ul style="list-style-type: none"> <li>• VdS</li> <li>• LPCB</li> <li>• FM</li> </ul>	<p>G204063</p> <p>126bd/02</p> <p>3029351</p>
System compatibility	
<ul style="list-style-type: none"> <li>• FDnet</li> <li>• C-NET</li> </ul>	<p>FS20, AlgoRex, SIGMASYS</p> <p>FS720, FC360</p>
Collective system compatibility	CZ10, BC10, FC10, XC10, CS11, FC700A, FC330A, SIGMASYS, BMS, SM80/88/D100

<b>Detector heating unit DLH1191A</b>	
Operating voltage	DC 20...33 V
Operating current (quiescent)	30...50 mA
Resistance	600 Ω

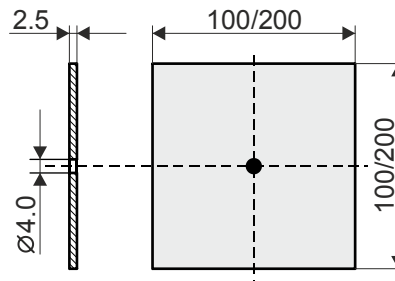
**ASA linear smoke detector FDL241-9 with base FDLB291**




**Reflector for long distance (prism) DLR1191 with base FDLB291**



**Reflector for short distance (foil) DLR1193/  
Reflector for middle distance (foil) DLR1192**



07  0786	<b>FDL241-9</b>	Siemens Schweiz AG; Theilerstrasse 1a CH-6300 Zug Technical data: see doc. <b>007016</b>
FDL241-9 - Linear optical smoke detector incl. short-circuit isolator for use in fire detection and fire alarm systems installed in buildings.		
305/2011/EU (CPR): EN 54-12 / EN 54-17 ; 2014/30/EU (EMC): EN 50130-4 / EN 61000-6-3 ; 2011/65/EU (RoHS): EN 50581		
The declared performance and conformity can be seen in the Declaration of Performance (DoP) and the EU Declaration of Conformity (DoC), which is obtainable via the Customer Support Center. Tel. +49 89 9221-8000 or <a href="https://siemens.com/bt/download">https://siemens.com/bt/download</a>		
DoP No.: 0786-CPR-20014; DoC No.: CED-FDL241-9		

Issued by  
Siemens Switzerland Ltd  
Building Technologies Division  
International Headquarters  
Theilerstrasse 1a  
CH-6300 Zug  
Tel. +41 58 724 2424  
[www.siemens.com/buildingtechnologies](http://www.siemens.com/buildingtechnologies)

© Siemens Switzerland Ltd, 2007  
Technical specifications and availability subject to change without notice.